

ROUND CO-AXIAL METAL CEILING LOUDSPEAKERS

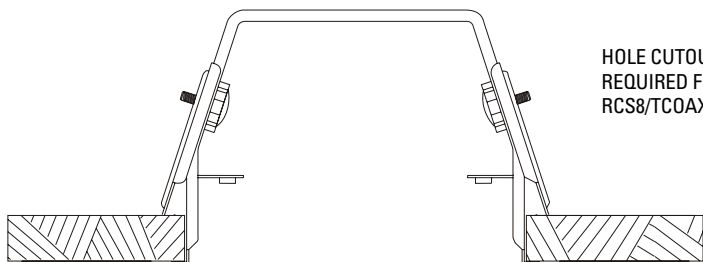
RCS8/TCOAX
RCS8/FTSCOAX



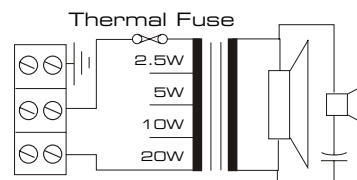
INSTALLATION INSTRUCTIONS

RCS8/FTSCOAX

Circuit diagram 100V Common



HOLE CUTOUT
REQUIRED FOR
RCS8/TCOAX = 238mm

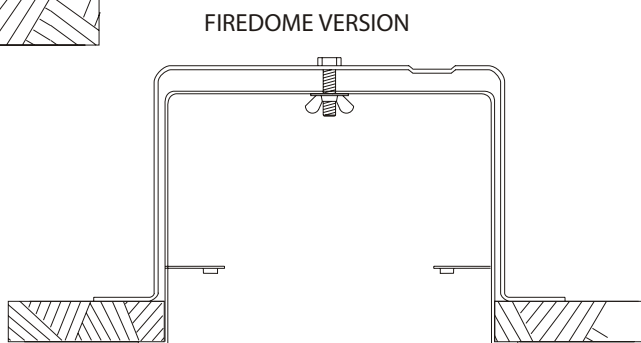


▶ STEP 1

Place the mounting bracket inside the ceiling aperture and secure it with the two black knobs

▶ STEP 2

Place the mounting bracket inside the ceiling aperture and secure it with the fixing bracket



FIREDOME VERSION

HOLE CUTOUT REQUIRED FOR RCS8/FTSCOAX = 246mm

MOUNTING LOUDSPEAKER

▶ STEP 3

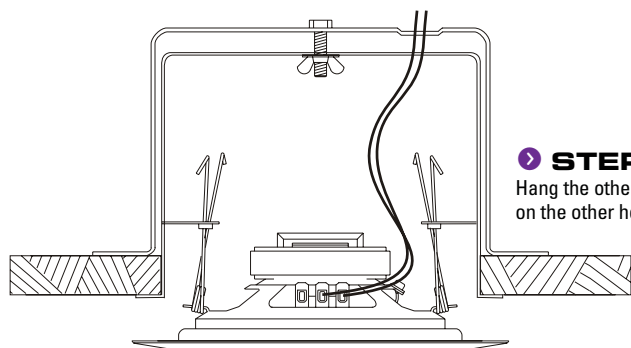
Hang one of the speaker suspension springs on the hook of the fire dome or mounting bracket

Note: the angled part of the mounting spring must point towards the centre of the speaker

▶ STEP 4

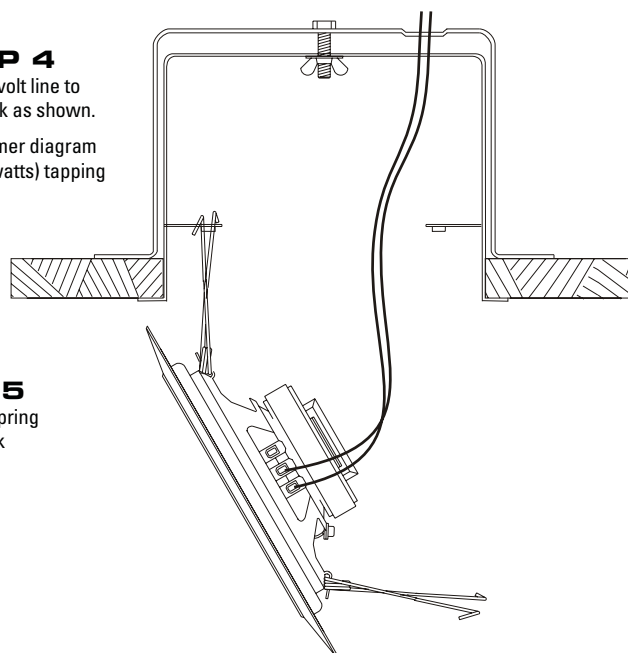
Connect 100 volt line to terminal block as shown.

See transformer diagram for volume (watts) tapping



▶ STEP 5

Hang the other spring on the other hook



▶ STEP 6

Push spring towards the hole



Penton UK Ltd

Unit 2 Teville Industrials | Dominion Way | Worthing | West Sussex | BN14 8NW
T: +44 (0)1903 215315 | F: +44(0)1903 215415 | E: sales@pentonuk.co.uk

www.pentonuk.co.uk

NOVEMBER 2011



RoHS

