

# NEO S 8A

Self-powered subwoofer



**NEO S 8A** is the perfect complement to the **Neo Series** loudspeakers. It is a self-powered subwoofer with balanced inputs that integrates into nearly any installation thanks to its ultra-stylish design. It can be fixed vertically and horizontally on the wall.

It incorporates Line level balanced inputs (via terminal block) and high level inputs from an external amplifier (via fast connector). It is also possible to control both the amplifier gain and the frequency of the crossover (in a range between 50 Hz and 150 Hz).

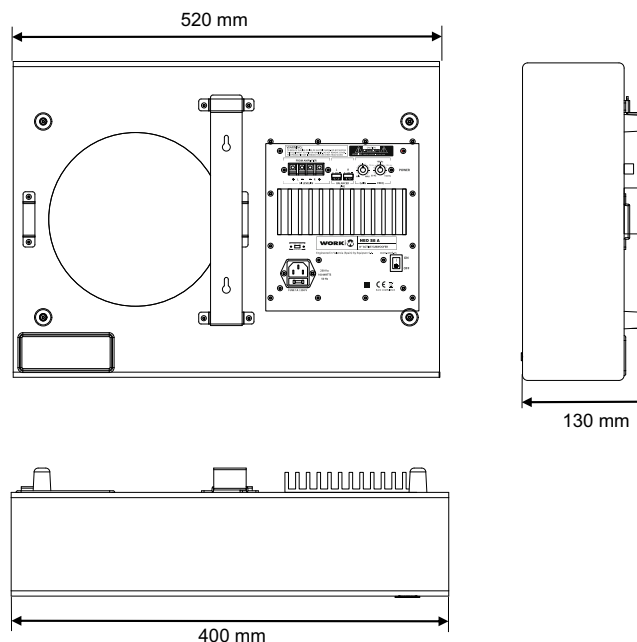
Its 2-position rear handle lets you set the subwoofer vertically or horizontally, simply by changing its position.

## Features

- Self-powered Subwoofer.
- Balanced LINE level inputs.
- HI LEVEL inputs.
- 8" woofer with double coil.
- Volume control.
- Crossover frequency adjustment (50 Hz-150 Hz).
- Selectable main supply AC 115V/2330V.
- Made of MDF wood.
- Two available colours: Black and white
- Fixation handle(vertical/horizontal).
- Ultra-stylish design.
- Easy integration in a previous installation.

## Dimensions

\* In mm.



# NEO S 8A

## Rear View

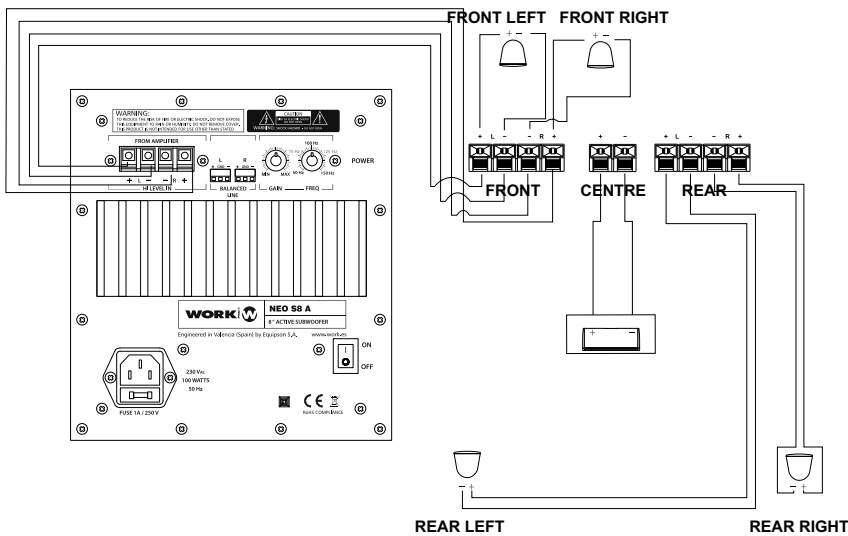


## Specifications

MODEL	NEO S 8A	
	Type	Self-powered subwoofer
Elements	Woofers	8" woofer
	Type	Double coil (4 Ω each coil)
Impedance	LINE	22 kΩ
Max. input level	Input	0.775V rms (0 dBu)
Impedance	HI LEVEL	240 Ω
	Input	15 V rms @ 80 Hz
Output power		58 W rms @ 0.1% THD
Max. SPL		10 dB
Frequency Response		40 Hz - 160 Hz
Crossover frequency		50 Hz - 150 Hz (selectable)
Main supply		AC 115V /230V (selectable)
Connectors		Terminal block 3p (balanced L - R inputs) Fast connector (HI LEVEL inputs)
Fixation system		Fixation handle horizontal/vertical (interchangeable)
Material		MDF wood
Colors		Black and White
Dimensions		520 x 400 x 130 mm
Weight		8,5 kg

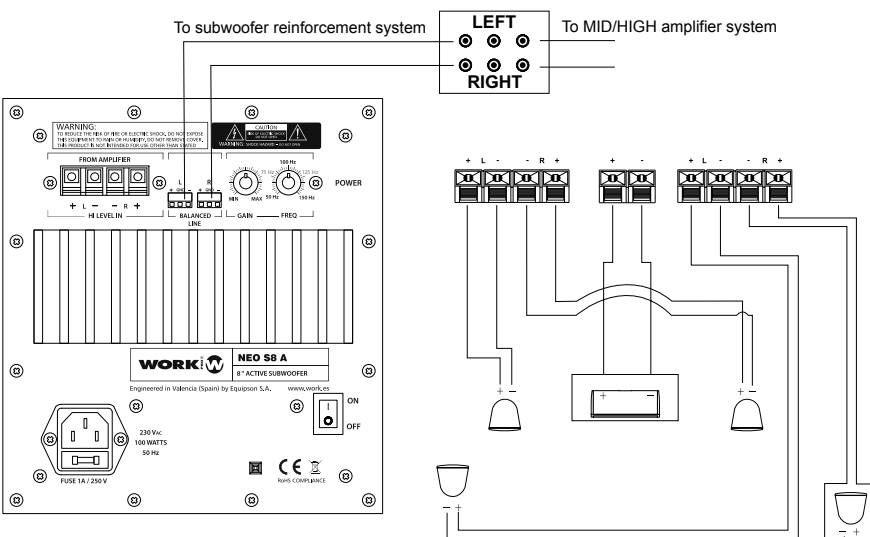
\* specifications are subject changes without notices.

## Connection examples



### 1. Using HI LEVEL inputs

5.1. system. Using **NEO S8A** as subwoofer front output reinforcement. The signal from FRONT speakers is drive inside subwoofer through HI LEVEL terminals.



### 2. Using LINE inputs

5.1. system. Using **NEO S 8A** as subwoofer reinforcement. The L/R full range audio signal is driven inside subwoofer through BALANCED LINE IN terminals.



Rev. 12.07.01