

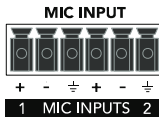
This guide is intended to help you get started with the CUI-2 quickly. It is not a substitute for the full manual which contains detailed information on the key features.

INSTALLING THE MICROPHONE(S)

The CUI-2 is designed to work with mono or stereo microphone installations.

Consult your ClockAudio microphone user manual for best practices related to installing your microphone.

Connect the microphone(s) to the included mic input terminal block.



NOTE: Use Input 1 for mono microphone installations.

INSTALLING A TOUCH SWITCH

A Clockaudio Touch Switch can be used with the CUI-2 to mute microphones.

Connect a Touch Switch to the TS Port on the CUI-2 with a standard CAT5 cable.

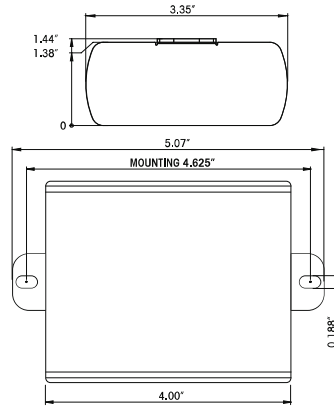
CONNECTING TO USB

Connect the USB port to a PC or MAC with the supplied USB cable. The CUI-2 is plug and play, special drivers are not required.

The CUI-2 is also powered by the USB connection. An optional 12V power input is also provided.


MOUNTING THE CUI-2

Using the supplied screws, attach the CUI-2 to a flat surface, usually the underside of a desk or conference table.



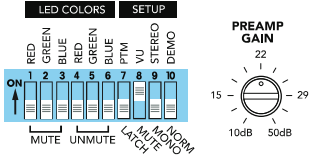
QR CODE

Scan the QR code to go directly to the CUI-2 Product Page with detailed User Guide.



MICROPHONE SETUP

- Select MONO or STEREO mode (use STEREO when connecting microphones to Input 1 and 2).
- If using a Touch Switch, set SWITCH 8 to the VU (UP) position and speak into the mic. The VU should show green while you are speaking with occasional yellow peak. Adjust the GAIN accordingly. Once set, move SWITCH 8 back into the MUTE (DOWN) position.

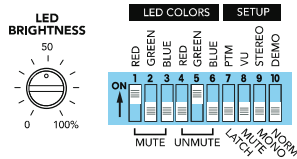


- Alternately, with the CUI-2 connected to a PC/MAC via USB cable, launch Windows Sound Panel (Windows) or

Sound in System Preferences (Mac). Monitor the Test Mic or VU display while adjusting the gain to an appropriate level.

TOUCH SWITCH (TS PORT) SETUP

- Select Push to Mute (PTM) or LATCH with SWITCH 7. In PTM mode, MUTE is active while the Touch Switch is touched. In LATCH mode, MUTE will activate when a Touch Switch is pressed and remain active until pressed a second time.
- Select the MUTE color. The Touch Switch will illuminate this color when MUTE is active. Red (SWITCH 1 UP) is the most common option.



- Select the UNMUTE color. It is common to set this to green (SWITCH 5 UP).
- With the MUTE function on, adjust the LED BRIGHTNESS to the desired level.

TESTING FUNCTIONS

Enter the DEMO/TEST mode by placing SWITCH 10 in the UP position. This will cycle the LED colors and stream a 440Hz test tone to the PC/MAC. When you are certain all functions are operating properly, place SWITCH 10 DOWN to the NORM position.

