

DATASHEET

PAN SPEAKER P 8-CX - PASSIVE COAXIAL LOUDSPEAKER

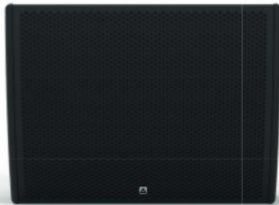
The **Pan Speaker P 8-CX** is a passive 2-way coaxial speaker with ported design for immersive sound and high quality music applications. The **Pan Speaker P 8-CX** is characterized by a precise and natural sound reproduction over the frequency range from 60 - 22,000 Hz.

The speaker uses a coaxial chassis with an 8" woofer and a 1.75" tweeter unit with compression driver. The cabinet is made of sustainable wood material and can be painted in any color according to the customer's requirements. The chassis is protected from external influences by a sturdy perforated front grille.

The cabinet of the loudspeaker is designed in such a way that the vertical dispersion axis of the loudspeaker is tilted by 15° when mounted on a wall.

At the rear of the **P 8-CX** a connection plate with a 4-pin connector panel is recessed into the housing. Also on the connection plate is a thread to accommodate an M10 eyebolt for fall protection. Optionally, the **P 8-CX** is also available with Speakon NL4 connection. On the rear and side surfaces are various mounting points designed for attaching accessories such as an adapter plate for tilting wall mounts, ceiling mounts, U-brackets or rigid wall mounts.

It is possible to operate the **P 8-CX** either individually or in combination with the P SW-112 or P SW-118 from the Pan Subwoofer series.



EQUIPMENT / OPTIONS



See last page for explanation of the symbols.

APPLICATIONS

Immersive Sound, Variable Room Acoustics (ACS), Museums, Conference Rooms, Lecture Halls, Audio/Video Presentation Rooms

FEATURES

High efficiency, integrated protection circuitry, high quality over a wide frequency range, symmetrical radiation characteristics, compact, inconspicuous design.

MOUNTING ACCESSORIES

For the **Pan Speaker** series, there is a wide range of mounting accessories for fixed installation and mobile use.

All **Pan Speaker** loudspeakers are designed, developed and manufactured in Germany by Pan Acoustics according to strict criteria and with high-quality materials.



TECHNICAL DATA PAN SPEAKER P 8-CX

ACOUSTIC PROPERTIES

Configuration:	passive, compact coaxial loudspeaker
Frequency range:	60 Hz - 22 kHz
Equipment:	1 x 8"/1,75" Coax
Rated power:	800 W (peak _{20ms})/ 400 W (programme)/ 200 W (nominal)
Recommended amplifier:	DSP power amplifier
Sensitivity:	92 dB 1W/1m
Maximum SPL:	127 dB* (peak) @1m
Impedance:	8 Ohm
Radiation pattern h/v:	100° radial
Connections I/O:	1 x 4-pole screw connection terminal for connection cable with 4 mm ² Ø
Operating temperature:	-10 °C to +50 °C (ambient temperature)

MECHANICAL PROPERTIES

Enclosure:	Wood
Grille:	Powder coated perforated sheet metal with textile cover
Standard colors:	RAL 9005 (black), silk matt RAL 9010 (white), silk matt
Dimensions (HxBxT):	331 x 446 x 256 [mm]
Weight:	14 kg
Mounting options:	Other mounting accessories available.

*Under anechoic half-space conditions with DSP settings.
Frequency range: -10 dB under anechoic half-space conditions.





TECHNICAL DATA PAN SPEAKER P 8-CX | NL4

ACOUSTIC PROPERTIES

Configuration:	passive, compact coaxial loudspeaker
Frequency range:	60 Hz - 22 kHz
Equipment:	1 x 8"/1,75" Coax
Rated power:	800 W (peak _{20ms})/ 400 W (programme)/ 200 W (nominal)
Recommended amplifier:	DSP power amplifier
Sensitivity:	92 dB 1W/1m
Maximum SPL:	127 dB* (peak) @1m
Impedance:	8 Ohm
Radiation pattern h/v:	100° radial
Connections I/O:	1 x Speakon NL4 (1+/1-)
Operating temperature:	-10 °C to +50 °C (ambient temperature)

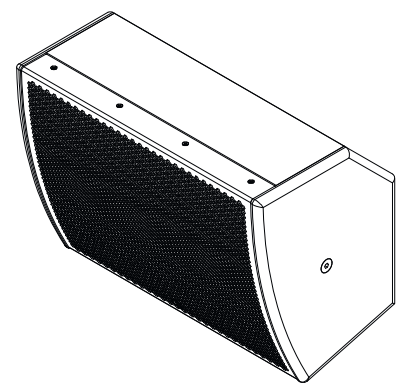
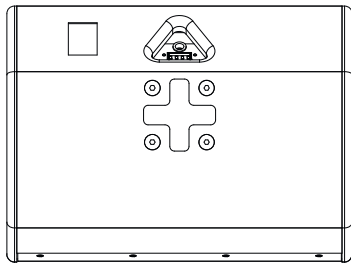
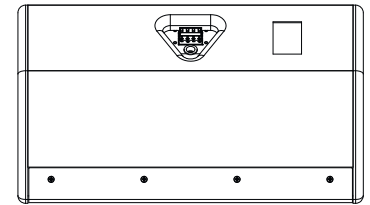
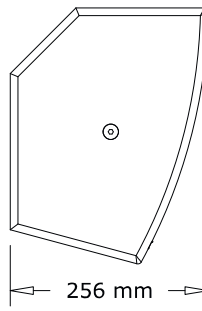
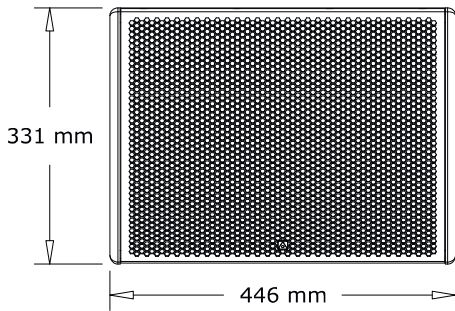
MECHANICAL PROPERTIES

Enclosure:	Wood
Grille:	Powder coated perforated sheet metal with textile cover
Standard colors:	RAL 9005 (black), silk matt RAL 9010 (white), silk matt
Dimensions (HxBxT):	331 x 446 x 256 [mm]
Weight:	14 kg
Mounting options:	Other mounting accessories available.

*Under anechoic half-space conditions with DSP settings.
Frequency range: -10 dB under anechoic half-space conditions.



TECHNICAL DRAWING PAN SPEAKER P 8-CX



Doc.-Nr.: 01767.V1 - 07.2023 [Translation based on German version]



All products are designed, developed and manufactured by Pan Acoustics in Germany.
Pan Acoustics reserves the right to modify products without prior notice.

www.pan-acoustics.de