



DOCUMENTATION

MANUAL PAN SPEAKER P 8-CX / P 10-CX / P 12-CX + VARIANTS

V 1.0



Shapely.
Versatile.
Functional.

Read the manual carefully before putting the device into operation.
The manual must be retained.



All products are designed, developed and manufactured by Pan Acoustics in Germany.
Pan Acoustics reserves the right to modify products without prior notice.

www.pan-acoustics.de

Pan Acoustics GmbH | Schweigerstr. 13d | D-38302 Wolfenbüttel | Germany | Tel.: +49 (0) 5331 900 95 70 | E-mail: contact@pan-acoustics.de

General information

Manual

Pan Speaker P 8-CX + variants

Pan Speaker P 10-CX + variants

Pan Speaker P 12-CX + variants

Version: 1.0

Language: English

Doc. no.: 01796.V1 - 10.2023

Copyright © 2023 Pan Acoustics GmbH, all rights reserved

This document must be kept with the product or in a safe place so that it is available when needed.

If the product is resold, the document must be handed over to the new owner in printed or electronic form.

Pan Acoustics reserves the right to change/update the document without prior notice. The latest version of this document can be downloaded from the Pan Acoustics website.

Pan Acoustics GmbH

Schweigerstr. 13d | 38302 Wolfenbüttel

Tel.: +49 (0) 5331 900 95 70 | Fax: +49 (0) 5331 900 95 79

E-mail: contact@pan-acoustics.de

Table of contents

1. General information	4
2. Symbols and explanation	4
3. Product information and target group	4
4. General safety regulations	4
5. Safety instructions	6
6. Scope of delivery	6
7. Setup location	6
8. Assembly and connection	7
8.1. Assembly of mounts (accessories)	7
8.1.1. Fixing points – loudspeakers	7
8.1.2. Loudspeaker connector panel 8-CX / 10-CX / 12-CX	8
8.1.3. Loudspeaker connector panel 8-CX NL4 / 10-CX NL4 / 12-CX NL4	8
8.2. Operation on the power amplifier	8
9. Operating conditions	9
10. Service and repair	9
11. Maintenance measures	9
12. Declaration of conformity	9
13. WEEE declaration (disposal)	9
14. Warranty	9
15. Contact address	10
16. Mounts	10
17. Technical data loudspeaker	11
17.1. P 8-CX	11
17.2. P 8-CX NL4	11
17.3. P 10-CX	12
17.4. P 10-CX NL4	12
17.5. P 12-CX	13
17.6. P 12-CX NL4	13
18. Technical illustrations loudspeaker	14
18.1. P 8-CX	14
18.2. P 8-CX NL4	14
18.3. P 10-CX	15
18.4. P 10-CX NL4	15
18.5. P 12-CX	16
18.6. P 12-CX NL4	16

1. General information

Thank you for choosing a product from Pan Acoustics. The passive loudspeakers from the Pan Speaker series combine architecturally appealing design with flexible connections. Depending on the model, low impedance, 100 V and RJ variants are available.

The Pan Speaker series offers a comprehensive range of loudspeakers for different applications such as traditional AV installations, theatre, immersive sound and outdoor applications.

All loudspeakers from the Pan Speaker series feature:

- appealing design
- natural and unaltered audio reproduction
- flexibility and modularity

Please read this operating manual carefully prior to startup in order to guarantee fault-free operation.

2. Symbols and explanation



DANGER

This symbol indicates a hazard with a high level of risk. If this hazard is not avoided, serious injury or death may result.



WARNING

This symbol indicates a hazard with a medium level of risk. If this hazard is not avoided, moderate to serious injury or death may result.



CAUTION

This symbol indicates a hazard with a low level of risk. Failure to observe this instruction may result in minor injuries or damage to property.



NOTICE

This symbol provides important instructions for the proper handling of the product. Failure to observe this instruction may result in damage to the product or malfunctions.

3. Product information and target group

All information in this operating manual is based on the product properties available at the time of preparation and the safety regulations applicable at that time.

This operating manual describes the setup, function and connection of the Pan Speaker loudspeaker systems P 8-CX, P 8-CX | NL4, P 10-CX, P 10-CX | NL4, P 12-CX and P 12-CX | NL4. It is aimed at system technicians and persons assigned the task of installing and operating a relevant system.

Pan Acoustics reserves the right to make changes and modifications within the scope of legal regulations and product improvements without prior notice.

This operating manual and all additional information required for operation must be read prior to use by all persons involved in commissioning. The operating manual and all additional information required must be kept within reach near the device.

All necessary information and documents can be obtained from the Pan Acoustics website, <https://www.pan-acoustics.de/en/service/download>, or by sending an e-mail to contact@pan-acoustics.de.

4. General safety regulations

The following safety regulations must be read completely and diligently before putting the device into operation and must then be kept in a safe place near the device. Reading the operating manual does not replace the knowledge and observance of all valid local safety rules and regulations. The information and technical specifications published in this document are based on data available at the time of publication. Pan Acoustics reserves the right to make changes to the product aimed towards product improvement and adjustment to new applicable standards.

DANGER

To prevent injuries, electric shock and fire, ensure that all persons involved in the set up, operation, dismounting or installation of the product/system have read this operating manual.

WARNING

In order to prevent falling object injuries,

- this product is to be fastened to building fixtures with friction-locking connections using suitable connector elements according to the installation instructions. The base surface is to be checked for suitability of installation and, where required, prepared by qualified personnel.
- the connections and components delivered by Pan Acoustics or expressly mentioned in this manual are to be used.
- the load-bearing elements and connections are to be checked regularly for wear and loosening.

To minimise the risk of fire or electric shock,

- the product must not be opened. It does not contain any parts that can be serviced by the user.
- the product must not be exposed to moisture or humidity, except for products with an appropriate IP protection class.
- no objects filled with liquid (e.g. bottles) must be placed on top of the product.
- the product must not be exposed to excessive heat, direct sunlight, fire or the like.
- no open sources of fire (e.g. candles) must be placed on top of or under the product.

To prevent injury, this product must be taken out of operation, clearly marked and secured against accidental operation if the product

- shows signs of visible damage.
- contains loose parts.
- no longer works flawlessly.
- has been stored for a long time under unfavourable conditions (e.g. in humid rooms).
- was exposed to severe transport stress (e.g. with unsuitable packaging).

To avoid injuries such as hearing damage due to excessive volume levels, persons should

- never stand directly in front of a connected loudspeaker.
- not be exposed to high volume levels over a long period of time.

CAUTION

To prevent damage to the product, avoid

- generating acoustic feedback.
- playing back distorted signals of high power over a long period of time.
- generating impulse-like sounds (e.g. popping noises) which occur when a media player is switched on, connected or disconnected.

NOTICE

Product and operational safety

- The product is completely disconnected from the signal network when the signal connector is removed.
- The product may only be cleaned from the outside using a dry cloth.
- The original packaging or an appropriate transport box (flight case) should be used when transporting the product. The product must be protected against vibrations.

5. Safety instructions

All products from Pan Acoustics are developed and manufactured in Germany according to the latest safety regulations. Each product is thoroughly inspected prior to shipping according to in-house quality guidelines.

The device conforms to the current CE regulations for operation in residential, business, commercial and industrial areas.

The device must be carefully inspected upon receipt for transport damage and completeness. In case of damage, the transport company and the shipper must be notified without delay.

Safety may be compromised if the product:

- shows signs of visible damage.
- no longer works correctly.
- has been stored for a long time under unfavourable conditions.
- has been transported incorrectly (e.g. unsuitable packaging).

If the product shows signs of impairments that no longer guarantee safe operation, the device must be secured and labelled accordingly. It must also be ensured that no intentional or accidental operation by third parties is possible.

6. Scope of delivery

Inspect the product for completeness upon delivery. The scope of delivery includes:

1 x Pan Speaker P xx-CX*

(version as ordered: xx stands for 8, 10, 12 or 8 | NL4, 10 | NL4, 12 | NL4)

1 x manual download information

* Please note: Pan Speaker P 8-CX loudspeakers are supplied in pairs of the same design

⚠ NOTICE

Versions without NL4 designation are supplied with a 4-pin plug.

The scope of delivery of the variants with NL4 designation **does not** include a Speakon NL4 plug.

7. Setup location

The loudspeaker is suitable for indoor operation. Sufficient air circulation must be ensured when operating the device indoors.

The product may be damaged by condensation. It should therefore be appropriately acclimatised before operation.

The loudspeaker may only be operated in the specified ambient temperature --> see chapter 17 "Technical data loudspeaker".

⚠ WARNING

When unpacking, it is important to pay attention to the temperature difference between the ambient temperature and the product. If the temperature difference is high, it is necessary to wait a sufficiently long time before operating the product to avoid damage due to condensation.

8. Assembly and connection

8.1. Assembly of mounts (accessories)

Various mounts are available from the "Pan Accessories" range for installing the loudspeaker on walls and ceilings

--> see chapter 16 "Mounts".

The installation and commissioning of loudspeakers must only be carried out by qualified personnel. Ensure that the mount chosen corresponds to the requirements on the wall or ceiling structure, along with operating requirements.

National safety regulations for operation and assembly must be followed.

CONNECTION WITH THE BUILDING STRUCTURE

- It must be ensured that the ceiling/wall area where the device is to be installed is structurally suitable.
- The mount must lie flat on the surface of the building structure. The surface must not show any settlement effects even in the long term.
- For a safe and durable connection, plug and screw connections must be dimensioned according to the acting forces that may occur through lever effects.
- In case of doubt as to the type and composition of the building structure, consult a structural engineer.

CONNECTION OF THE LOUDSPEAKER AND MOUNT

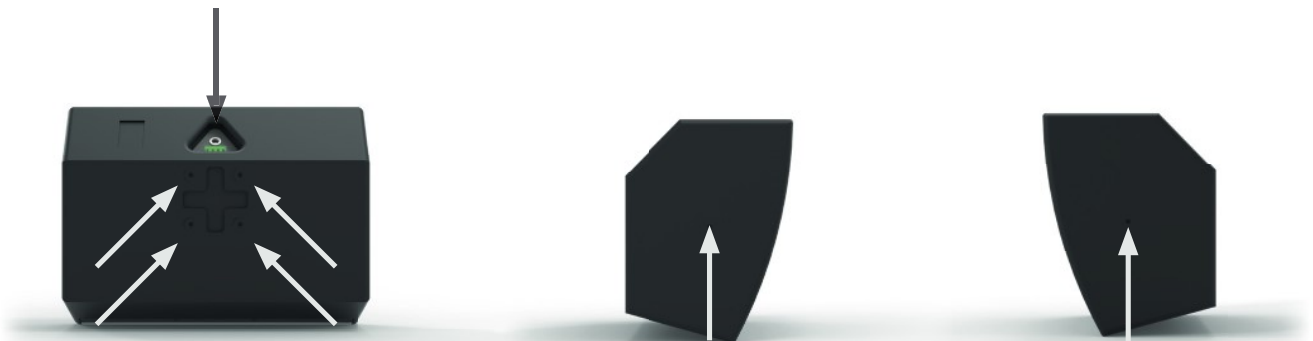
- All mounts sourced via Pan Acoustics for the Pan Speaker series are delivered with suitable installation material for connection with the loudspeaker.
- The loudspeaker and mount are connected to each other using the appropriate fixing points on the loudspeaker.
- To avoid damage to the mounts and the loudspeakers, no screws longer than the original ones must be used. Longer screws may destroy the loudspeakers or cause damage inside the loudspeakers.
- A tightening torque of 10 Nm must be observed for the screw connection between the mount and the loudspeaker.

⚠ NOTICE

You can find the installation instructions for the selected mount on our website in the download area.

8.1.1. Fixing points – loudspeakers

The CX loudspeakers have several fixing points for mounting the "Smart mount, P xx-CX", the "Adapter plate, P xx-CX" and the "Swivel bracket, P xx-CX".



4 x M10 fixing point
for smart mount or adapter plate
on the back

1 x M10 fixing point
for swivel bracket on side face

1 x M10 securing point

8.1.2. Loudspeaker connector panel 8-CX / 10-CX / 12-CX

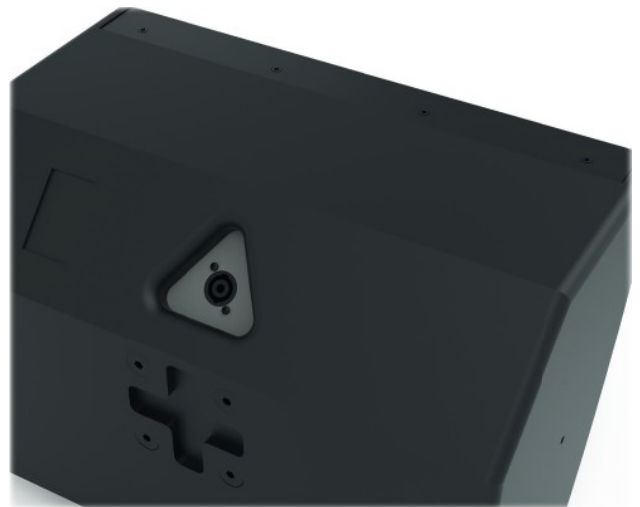
The connector panel of the loudspeakers features a 4-pin plug connection. The screw-type spring terminals are designed for connecting loudspeaker cables with a cross-section per wire of up to 4 mm². A parallel tap allows the signal to be looped through.

The connector panel also features a press-fit sleeve with M10 thread for mounting an eye bolt. The latter can be used to secure the loudspeaker by means of a securing element.



8.1.3. Loudspeaker connector panel 8-CX | NL4 / 10-CX | NL4 / 12-CX | NL4

The connector panel of the loudspeakers features a 4-pin Speakon connection. The Speakon assignment must be 1+/1-.



⚠ WARNING

Connection cables must not be used for fixing or suspending loudspeakers.

8.2. Operation on the power amplifier

The P xx-CX loudspeakers feature an internal crossover with frequency response correction, so no loudspeaker DSP equalisation is required. The sound only needs to be matched to the room if necessary.

The P xx-CX loudspeaker must be operated on a correctly configured DSP amplifier or amplifier with upstream audio DSP. The power of the amplifier to be used must be limited to the peak and programme power values according to the datasheet. Further technical descriptions of the loudspeaker can be found in the technical data --> see chapter 17 "Technical data loudspeaker".

DSP settings for various DSP amplifiers and DSP audio platforms for sound equalisation and operation of the loudspeakers with subwoofer can be downloaded from the Pan Acoustics website www.pan-acoustics.de. If you have any technical questions, you can also contact our support team at support@pan-acoustics.de.

⚠ CAUTION

To avoid damage to the product or the power amplifiers, the power amplifiers must be selected according to the power specifications of the loudspeaker. The limiters must be set according to the peak and programme power values in the datasheet to avoid damaging the loudspeaker.

9. Operating conditions

The product is suitable for operation in an ambient temperature from -10 °C to +50 °C. If the product is operated below 0 °C, the device must be operated by means of a continuous signal in order to prevent the loudspeaker chassis from freezing.

Before operating the device for the first time, it must be acclimatised. Avoid exposing the device to aggressive chemical liquids and vapours. The device must not be covered by textiles. Take precautions to prevent the enclosure from heating up due to direct exposure to sunlight or powerful spotlights. The device must also not be exposed to strong vibrations.

10. Service and repair

Service and repair work may only be carried out by persons and partners authorised by Pan Acoustics.

No service or repair measures are to be performed on the device that exceed the statements made with regard to maintenance (see chapter 11).

Contact data:

--> see chapter 15 "Contact address".

11. Maintenance measures

The following measures must be carried out at regular intervals:

Cleaning

The enclosure should be regularly dusted off with a damp cloth and checked for damage.

Visual and functional check

The installed device should be regularly subjected to a visual check.

The following checks must be carried out:

- Check the wall and ceiling mount for a firm fit
- Check the enclosure for damage
- Check the connection cable for damage

12. Declaration of conformity

The declaration of conformity for the relevant product from the Pan Speaker series can be requested from Pan Acoustics.

13. WEEE declaration (disposal)



The waste bin symbol indicates that electrical and electronic devices must not be disposed of with household waste after their useful life. This symbol can be found on the type plate of our products. Dispose of the device in accordance with the applicable regulations and any contractual agreements. If you have any questions about disposal, please contact your dealer, distributor or us.



14. Warranty

Pan Acoustics stands by its products and gives up to **10 years warranty** on its loudspeakers for any material or manufacturing defects. New products manufactured in accordance with protection classes IP54 and IP65 as well as digital audio interfaces (Dante®) from Audinate Pty Ltd and rechargeable batteries are excluded from the 10-year warranty. A warranty period of 3 years is granted for loudspeakers in accordance with protection classes IP54 and IP65. For further information on the warranty, please refer to the Pan Acoustics warranty conditions.

<https://www.pan-acoustics.de/en/service/warranty>

15. Contact address

Pan Acoustics GmbH
Schweigerstr. 13d

Tel.: +49 (0) 5331 900 95 70
Fax: +49 (0) 5331 900 95 79

38302 Wolfenbüttel
Germany

E-mail: support@pan-acoustics.de

16. Mounts

Recommended mounts for mounting products from the Pan Speaker series on walls and ceilings or for mobile use include:



Smart mount, P xx-CX



Adapter plate, P xx-CX



Swivel bracket, P xx-CX

⚠ NOTICE

The P xx-CX adapter plate can be used to install additional wall and ceiling mounts from the "Pan Accessories" range. The P xx-CX swivel bracket is available in the appropriate size for the respective loudspeaker. If you have any technical questions, you can also contact our support team at support@pan-acoustics.de.

17. Technical data loudspeaker

17.1. P 8-CX

ACOUSTIC PROPERTIES

Configuration:	Passive, compact coaxial loudspeaker
Frequency range:	60 Hz–22 kHz
Equipment:	1 x 8"/1.75" coax
Rated power:	800 W (peak _{20 ms}) / 400 W (programme) / 200 W (nominal)
Recommended amplifier:	DSP power amplifier
Sensitivity:	92 dB 1 W / 1 m
Maximum SPL:	127 dB* (peak) @ 1 m
Impedance:	8 ohms
Radiation pattern h/v:	100° radial
Connections:	1 x 4-pin screw-type terminal for connection cable with cross-section of 4 mm ²
Temperature range:	-10 °C to +50 °C (ambient temperature)

MECHANICAL PROPERTIES

Enclosure:	Wood
Grille:	Powder-coated perforated metal sheet with textile covering
Standard colour:	RAL 9005 (black), silk matt RAL 9010 (white), silk matt
Dimensions (H x W x D):	331 x 446 x 256 [mm]
Weight:	14 kg
Mounting option:	Other mounting accessories available

*Under anechoic half-space conditions with DSP settings.
Frequency range: -10 dB under anechoic half-space conditions.

17.2. P 8-CX | NL4

ACOUSTIC PROPERTIES

Configuration:	Passive, compact coaxial loudspeaker
Frequency range:	60 Hz–22 kHz
Equipment:	1 x 8"/1.75" coax
Rated power:	800 W (peak _{20 ms}) / 400 W (programme) / 200 W (nominal)
Recommended amplifier:	DSP power amplifier
Sensitivity:	92 dB 1 W / 1 m
Maximum SPL:	127 dB* (peak) @ 1 m
Impedance:	8 ohms
Radiation pattern h/v:	100° radial
Connections:	1 x Speakon NL4 (1+/1-)
Temperature range:	-10 °C to +50 °C (ambient temperature)

MECHANICAL PROPERTIES

Enclosure:	Wood
Grille:	Powder-coated perforated metal sheet with textile covering
Standard colour:	RAL 9005 (black), silk matt RAL 9010 (white), silk matt
Dimensions (H x W x D):	331 x 446 x 256 [mm]
Weight:	14 kg
Mounting option:	Other mounting accessories available

*Under anechoic half-space conditions with DSP settings.
Frequency range: -10 dB under anechoic half-space conditions.

17.3. P 10-CX

ACOUSTIC PROPERTIES

Configuration:	Passive, compact coaxial loudspeaker
Frequency range:	57 Hz–22 kHz
Equipment:	1 x 10"/1.75" coax
Rated power:	800 W (peak _{20 ms}) / 400 W (programme) / 200 W (nominal)
Recommended amplifier:	DSP power amplifier
Sensitivity:	94 dB 1 W / 1 m
Maximum SPL:	129 dB* (peak) @ 1 m
Impedance:	8 ohms
Radiation pattern h/v:	100° radial
Connections I/O:	1 x 4-pin screw-type terminal for connection cable with cross-section of 4 mm ²
Temperature range:	-10 °C to +50 °C (ambient temperature)

MECHANICAL PROPERTIES

Enclosure:	Wood
Grille:	Powder-coated perforated metal sheet with textile covering
Standard colour:	RAL 9005 (black), silk matt RAL 9010 (white), silk matt
Dimensions (H x W x D):	377 x 508 x 291 [mm]
Weight:	17 kg
Mounting option:	Other mounting accessories available

*Under anechoic half-space conditions with DSP settings.
Frequency range: -10 dB under anechoic half-space conditions.

17.4. P 10-CX | NL4

ACOUSTIC PROPERTIES

Configuration:	Passive, compact coaxial loudspeaker
Frequency range:	57 Hz–22 kHz
Equipment:	1 x 10"/1.75" coax
Rated power:	800 W (peak _{20 ms}) / 400 W (programme) / 200 W (nominal)
Recommended amplifier:	DSP power amplifier
Sensitivity:	94 dB 1 W / 1 m
Maximum SPL:	129 dB* (peak) @ 1 m
Impedance:	8 ohms
Radiation pattern h/v:	100° radial
Connections I/O:	1 x Speakon NL4 (1+/1-)
Temperature range:	-10 °C to +50 °C (ambient temperature)

MECHANICAL PROPERTIES

Enclosure:	Wood
Grille:	Powder-coated perforated metal sheet with textile covering
Standard colour:	RAL 9005 (black), silk matt RAL 9010 (white), silk matt
Dimensions (H x W x D):	377 x 508 x 291 [mm]
Weight:	17 kg
Mounting option:	Other mounting accessories available

*Under anechoic half-space conditions with DSP settings.
Frequency range: -10 dB under anechoic half-space conditions.

17.5. P 12-CX

ACOUSTIC PROPERTIES

Configuration:	Passive, compact coaxial loudspeaker
Frequency range:	48 Hz–22 kHz
Equipment:	1 x 12"/2.85" coax
Rated power:	1200 W (peak _{20 ms}) / 600 W (programme) / 300 W (nominal)
Recommended amplifier:	DSP power amplifier
Sensitivity:	94 dB 1 W / 1 m
Maximum SPL:	131 dB* (peak) @ 1 m
Impedance:	8 ohms
Radiation pattern h/v:	90° radial
Connections I/O:	1 x 4-pin screw-type terminal for connection cable with cross-section of 4 mm ²
Temperature range:	-10 °C to +50 °C (ambient temperature)

MECHANICAL PROPERTIES

Enclosure:	Wood
Grille:	Powder-coated perforated metal sheet with textile covering
Standard colour:	RAL 9005 (black), silk matt RAL 9010 (white), silk matt
Dimensions (H x W x D):	457 x 615 x 351 [mm]
Weight:	25 kg
Mounting option:	Other mounting accessories available

*Under anechoic half-space conditions with DSP settings.
Frequency range: -10 dB under anechoic half-space conditions.

17.6. P 12-CX | NL4

ACOUSTIC PROPERTIES

Configuration:	Passive, compact coaxial loudspeaker
Frequency range:	48 Hz–22 kHz
Equipment:	1 x 12"/2.85" coax
Rated power:	1200 W (peak _{20 ms}) / 600 W (programme) / 300 W (nominal)
Recommended amplifier:	DSP power amplifier
Sensitivity:	94 dB 1 W / 1 m
Maximum SPL:	131 dB* (peak) @ 1 m
Impedance:	8 ohms
Radiation pattern h/v:	90° radial
Connections I/O:	1 x Speakon NL4 (1+/1-)
Temperature range:	-10 °C to +50 °C (ambient temperature)

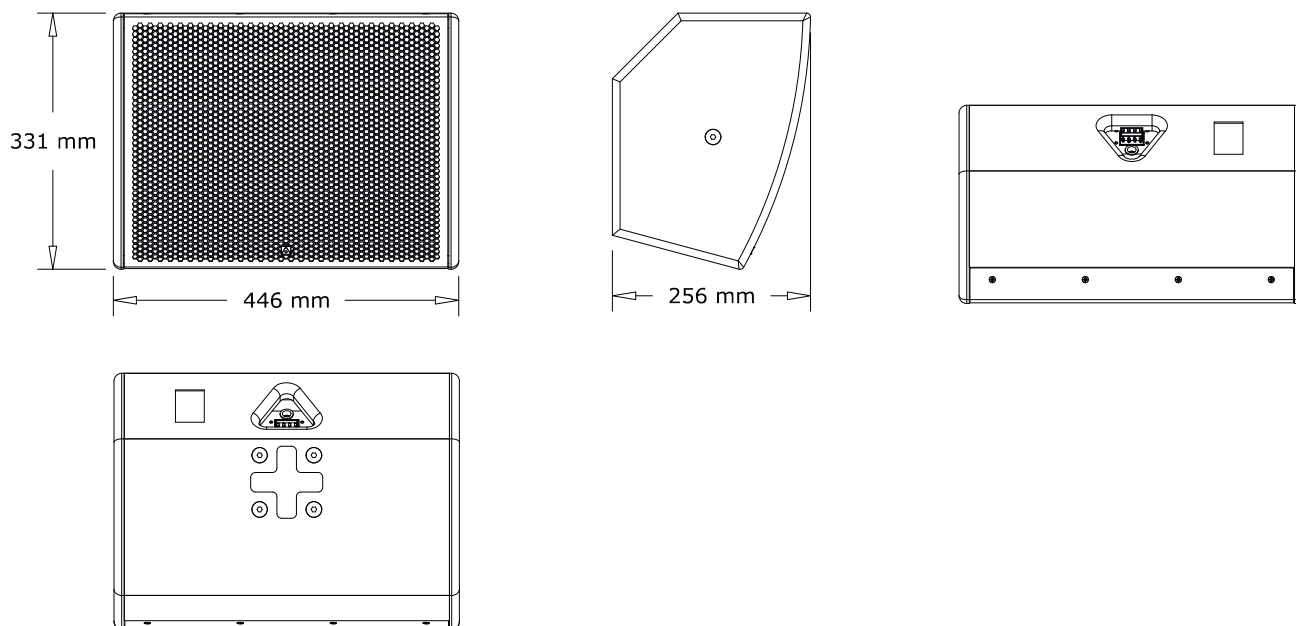
MECHANICAL PROPERTIES

Enclosure:	Wood
Grille:	Powder-coated perforated metal sheet with textile covering
Standard colour:	RAL 9005 (black), silk matt RAL 9010 (white), silk matt
Dimensions (H x W x D):	457 x 615 x 351 [mm]
Weight:	25 kg
Mounting option:	Other mounting accessories available

*Under anechoic half-space conditions with DSP settings.
Frequency range: -10 dB under anechoic half-space conditions.

18. Technical illustrations loudspeaker

18.1. P 8-CX



18.2. P 8-CX | NL4

